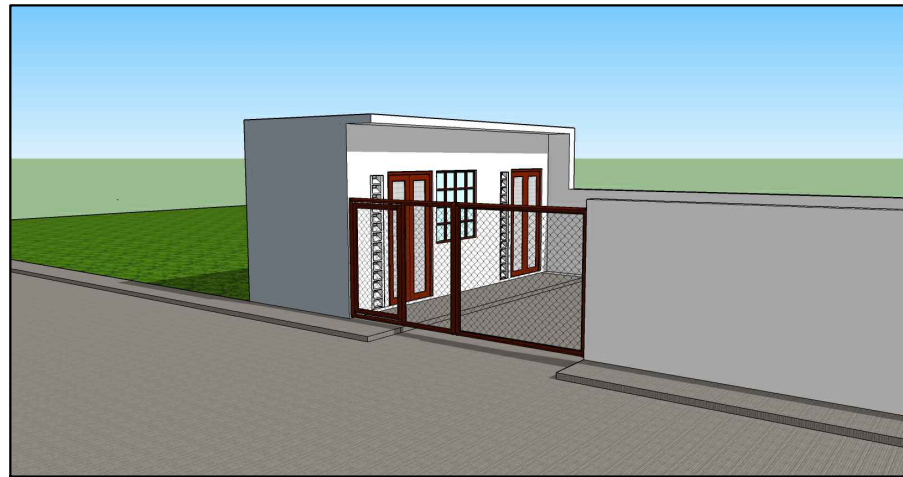
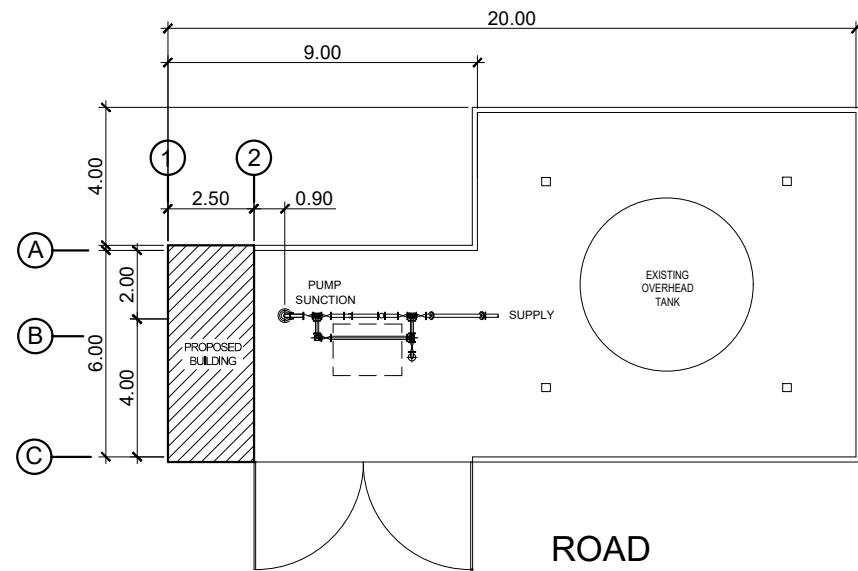


This design or drawing is the sole property of Calamba Water District. No part of this design or drawing may be reproduced or transmitted in any form or by any means without the written consent of its owner.



PERSPECTIVE



SITE DEVELOPMENT PLAN

SCALE 1:200 m.

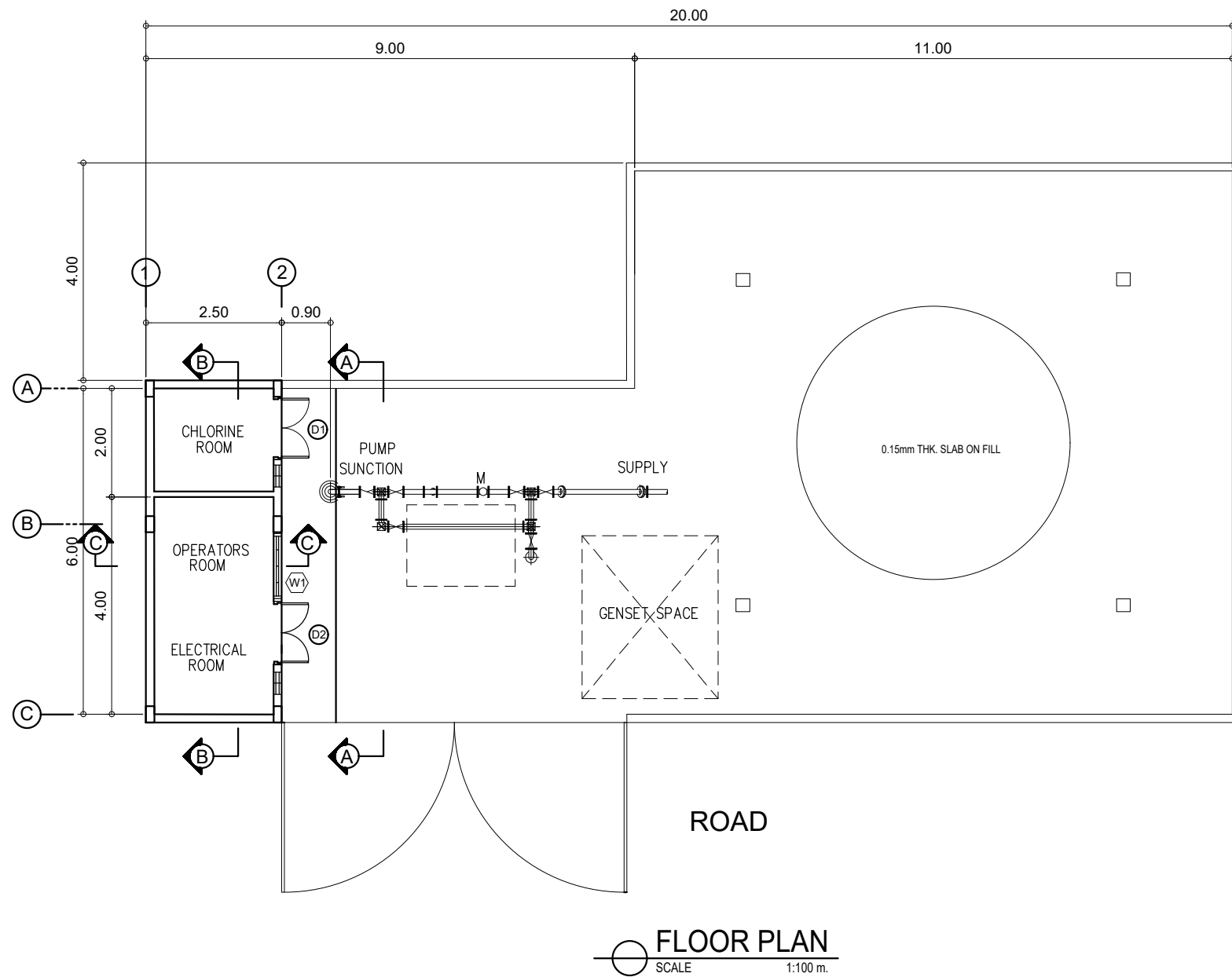
- NOTES:
 1. ALL SIZES AND LOCATIONS ARE SUBJECT TO CHANGE TO SUIT FIELD CONDITIONS.
 2. THE DESIGNER SHALL NOT BE LIABLE FOR ANY ALTERATION/ REVISION ON THE PLANS/ DRAWINGS AND SPECIFICATIONS IMPROVED BY THE AUTHORIZED SUPERVISING ENGINEER DONE WITHOUT THEIR KNOWLEDGE THAT MAY IMPAIR THE STRENGTH OF THE PROJECT.

REPUBLIC OF THE PHILIPPINES DEPARTMENT of PUBLIC WORKS TRANSPORTATION and COMMUNICATION OFFICE OF THE BUILDING OFFICIAL
DISTRICT / CITY / MUNICIPALITY
TABLE OF CONTENTS
COVER SHEET (CS): PERSPECTIVE SITE DEVELOPMENT PLAN LOCATION PLAN
ARCHITECTURAL 1 (A1): FLOOR PLAN SECTION ELEVATION
STRUCTURAL 1 (S1): FOUNDATION PLAN
STRUCTURAL 2 (S2): SCHEDULE OF FOOTINGS SCHEDULE OF DOORS & WINDOWS
STRUCTURAL 3 (S3): DECK FLOOR FRAMING PLAN DETAIL OF BEAMS DETAIL OF SLAB
STRUCTURAL 3 (S3): DETAIL OF UV ENCLOSURE
ELECTRICAL 1 (E1): ELECTRICAL LAYOUT SCHEDULE OF LOADS DETAIL OF PANELBOARD SINGLE LINE DIAGRAM
ELECTRICAL 2 (E2): SERVICE ENTRANCE POST DETAIL GENERAL NOTES ELECTRICAL LEGEND
MECHANICAL 1 (M1): MECHANICAL LAYOUT DETAIL OF DISCHARGE PIPE CHLORINATION PUMP DETAIL
SPECIALTIES: PROPOSED PORTALET SIGNAGE DETAIL TABLE DETAIL HANGING WOOD CABINET DETAIL
LAND USE & ZONING
LINE & GRADE
ARCHITECTURAL
STRUCTURAL
MECHANICAL
ELECTRICAL
PLUMBING

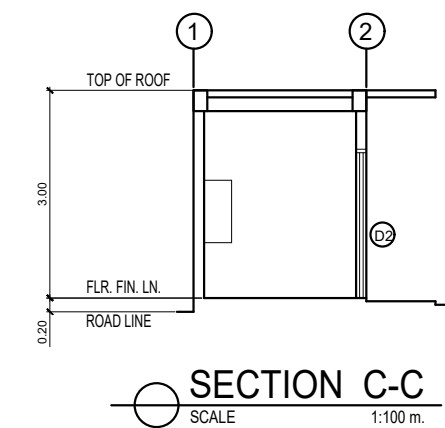
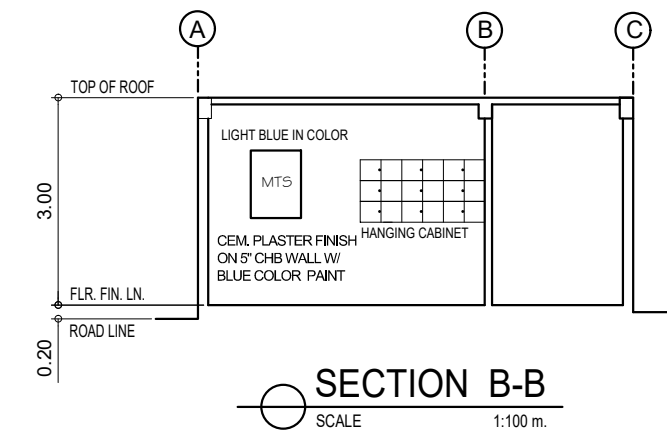
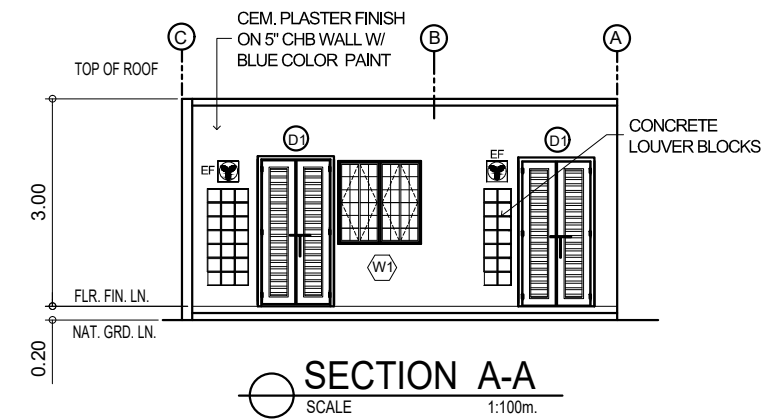
<p>CALAMBA WATER DISTRICT ENGINEERING DEPARTMENT PLANNING AND DESIGN DIVISION 24/7 Public Service</p>	PROJECT TITLE:	DRAWN BY: A. L. DEL PRADO	SHEET CONTENTS:	DATE: 07/16/2021
	PROPOSED PUMPING STATION BUILDING	DESIGNED BY: A. L. DEL PRADO	PERSPECTIVE SITE DEVELOPMENT PLAN LOCATION PLAN	SHEET NO.
	LOCATION: ASIACON PUMP 2 KAPAYAPAAN VILLAGE BRGY. CANLUBANG, CALAMBA CITY	RECOMMENDED BY: ENGR. J. A. GILLERA		CS
		APPROVED BY: MR. E. A. AGUILAR JR.		


ADMIN\D:\Angelo\Calamba Water District\PUMPING STATION\ASIACON PUMP2\ASIACON PUMP2\asiaccon2.dwg-7/16/2021 4:44 pm

This design or drawing is the sole property of Calamba Water District. No part of this design or drawing may be reproduced or transmitted in any form or by any means without the written consent of its owner.



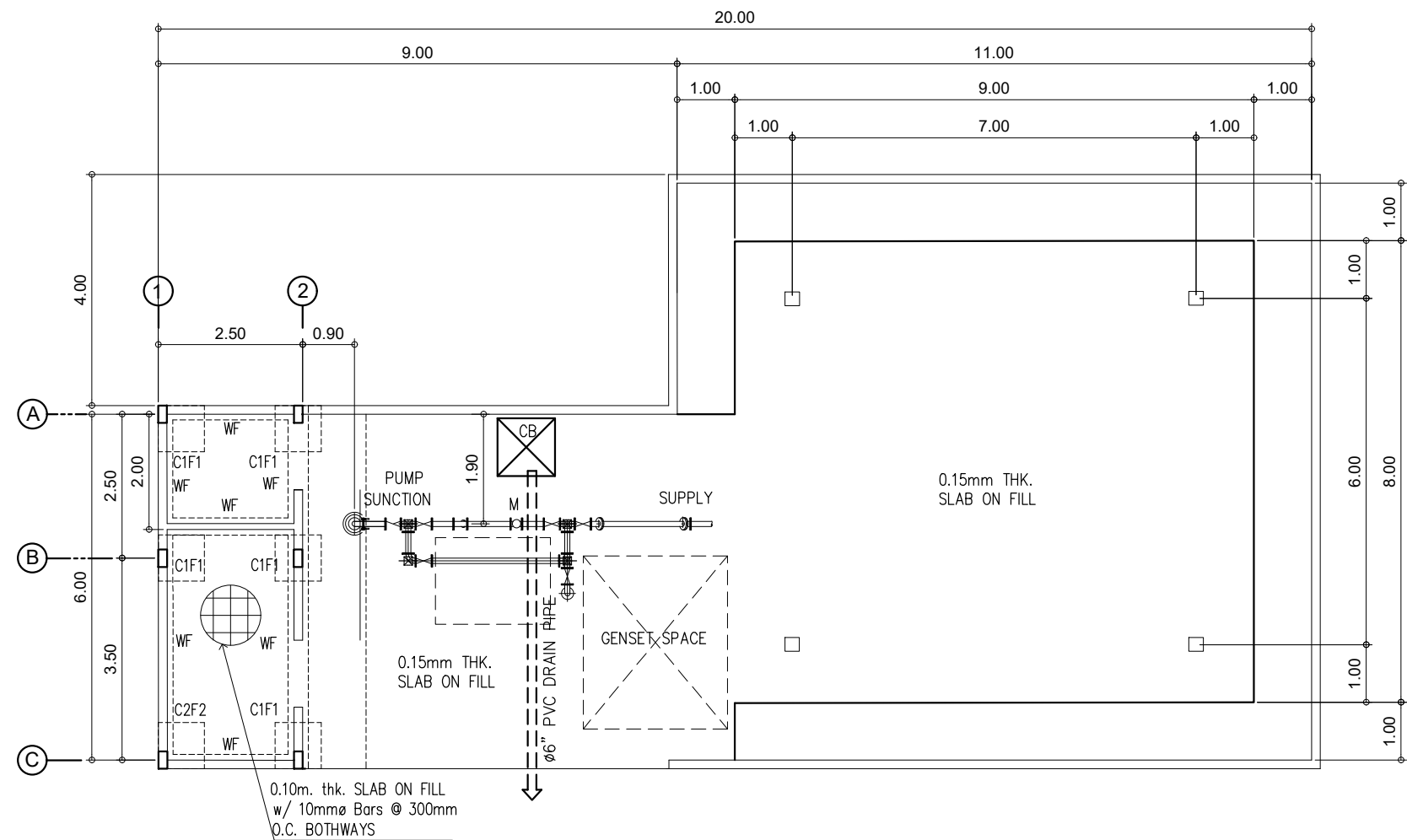
NOTES:
 1. ALL SIZES AND LOCATIONS ARE SUBJECT TO CHANGE TO SUIT FIELD CONDITIONS.
 2. THE DESIGNER SHALL NOT BE LIABLE FOR ANY ALTERATION/ REVISION ON THE PLANS/ DRAWINGS AND SPECIFICATIONS IMPROVED BY THE AUTHORIZED SUPERVISING ENGINEER DONE WITHOUT THEIR KNOWLEDGE THAT MAY IMPAIR THE STRENGTH OF THE PROJECT.



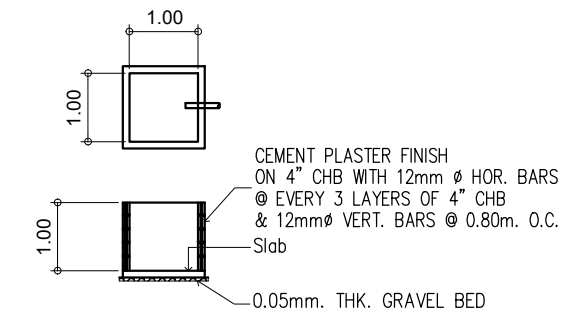
 CALAMBA WATER DISTRICT ENGINEERING DEPARTMENT PLANNING AND DESIGN DIVISION <small>24/7 Public Service</small>	PROJECT TITLE:	DRAWN BY: A. L. DEL PRADO	SHEET CONTENTS:	DATE: 07/16/2021
	PROPOSED PUMPING STATION BUILDING	DESIGNED BY: A. L. DEL PRADO	FLOOR PLAN FRONT ELEVATION REAR ELEVATION RIGHT SIDE ELEVATION LEFT SIDE ELEVATION	SHEET NO.
LOCATION: ASIACON PUMP 2 KAPAYAPAAAN VILLAGE BRGY. CANLUBANG, CALAMBA CITY	RECOMMENDED BY: ENGR. J. A. GILLERA	APPROVED BY: MR. E. A. AGUILAR JR.		A-1

ADMIN \D:\Angelo\Calamba Water District\PUMPING STATION\ASIACON PUMP2\ASIACON PUMP2\asiacon2.dwg - 7/16/2021 4:44 pm

This design or drawing is the sole property of Calamba Water District. No part of this design or drawing may be reproduced or transmitted in any form or by any means without the written consent of its owner.

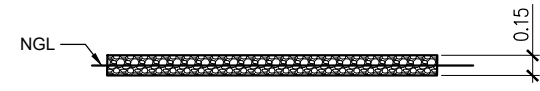


FOUNDATION PLAN
SCALE: 1:100 m.



DETAIL OF CATCH BASIN FOR BLOW OFF
SCALE: 1:100mm.

NOTE: LOCATION AND ELEVATION OF CATCH BASIN IS DEPEND AT SITE CONDITION.



SLAB ON FILL CROSS-SECTION DETAIL
SCALE: 1:50mm.

- NOTES:
1. ALL SIZES AND LOCATIONS ARE SUBJECT TO CHANGE TO SUIT FIELD CONDITIONS.
 2. THE DESIGNER SHALL NOT BE LIABLE FOR ANY ALTERATION/ REVISION ON THE PLANS/ DRAWINGS AND SPECIFICATIONS IMPROVED BY THE AUTHORIZED SUPERVISING ENGINEER DONE WITHOUT THEIR KNOWLEDGE THAT MAY IMPAIR THE STRENGTH OF THE PROJECT.

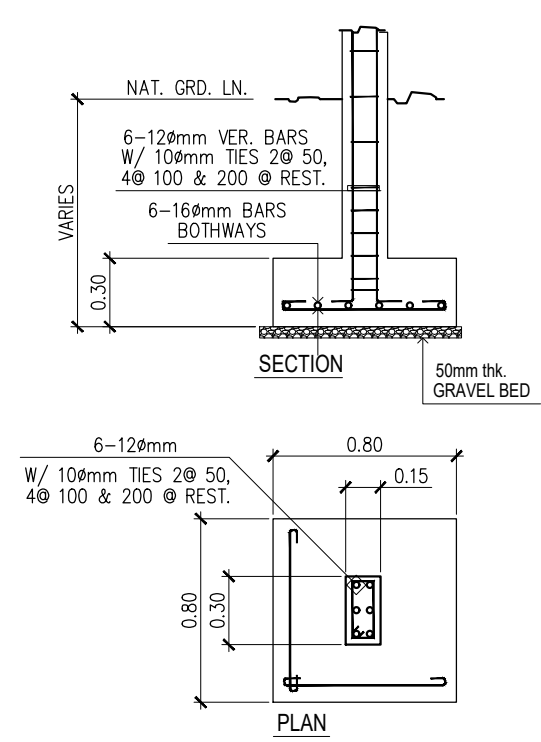


CALAMBA WATER DISTRICT
ENGINEERING DEPARTMENT
PLANNING AND DESIGN DIVISION

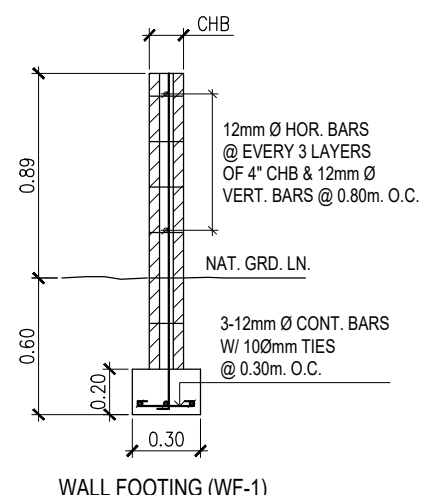
PROJECT TITLE:	DRAWN BY: A. L. DEL PRADO	SHEET CONTENTS:	DATE: 07/16/2021
PROPOSED PUMPING STATION BUILDING	DESIGNED BY: A. L. DEL PRADO	SECTION A-A SECTION B-B SECTION C-C SCHEDULE OF DOORS & WINDOWS DETAIL OF CONCRETE LOUVER	SHEET NO.
	RECOMMENDED BY: ENGR. J. A. GILLERA		S-1
LOCATION: ASIACON PUMP 2 KAPAYAPAAAN VILLAGE BRGY. CANLUBANG, CALAMBA CITY	APPROVED BY: MR. E. A. AGUILAR JR.		

ADMIN\D:\Angelo\Calamba Water District\PUMPING STATION\ASIACON PUMP2\ASIACON PUMP2\asiacon2.dwg-7/16/2021 4:44 pm

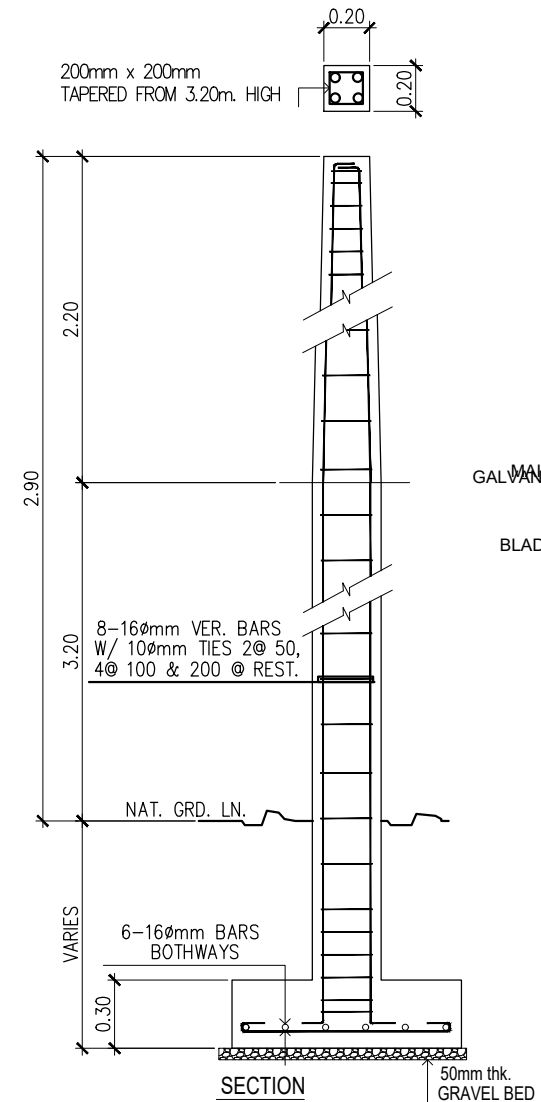
This design or drawing is the sole property of Calamba Water District. No part of this design or drawing may be reproduced or transmitted in any form or by any means without the written consent of its owner.



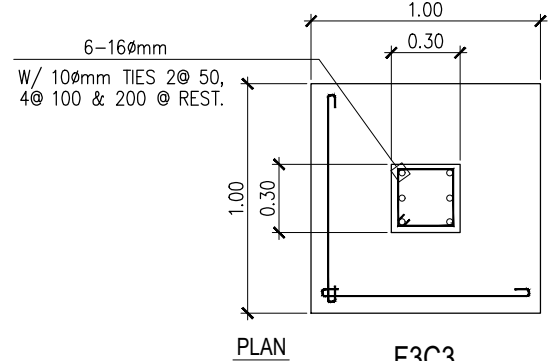
F1C1



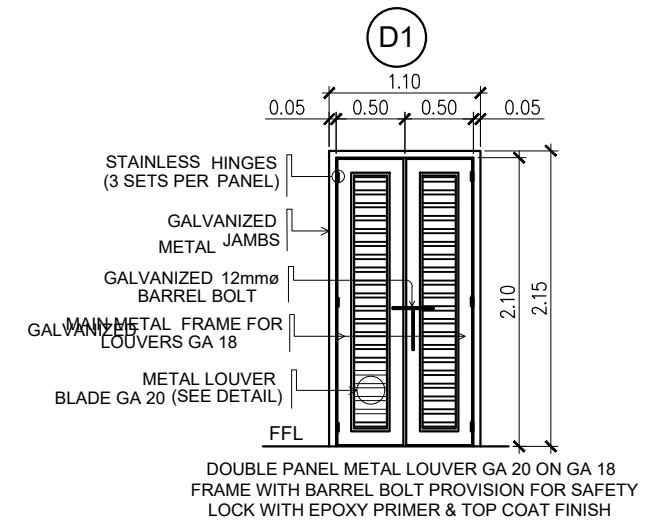
DETAIL OF FOOTINGS
SCALE 1:30m.



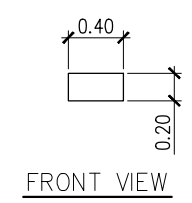
F3C3



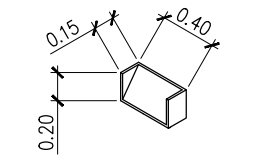
PLAN



SCHEDULE OF DOORS & WINDOW
SCALE 1:50 m.



FRONT VIEW



ISOMETRIC VIEW

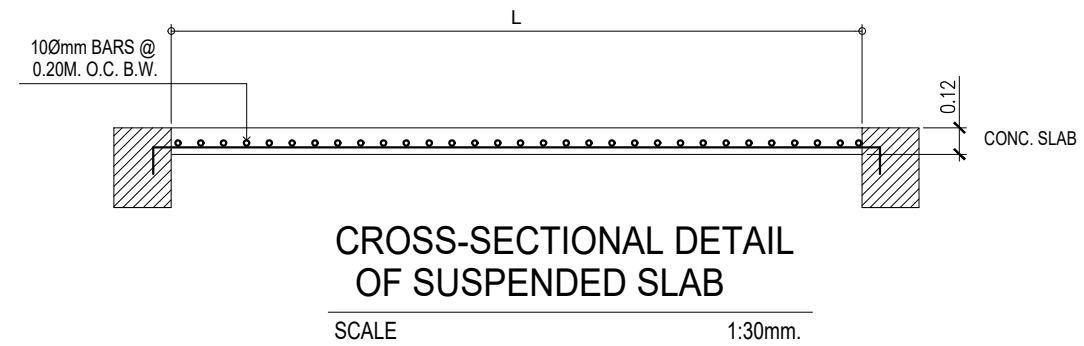
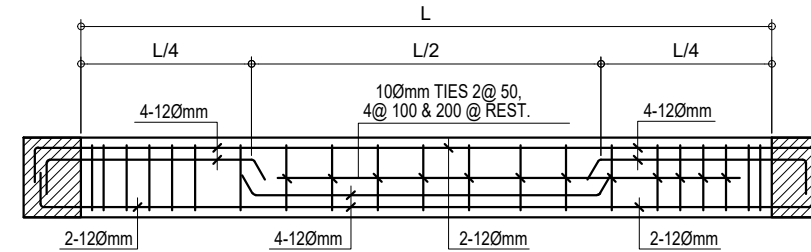
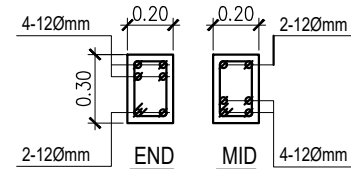
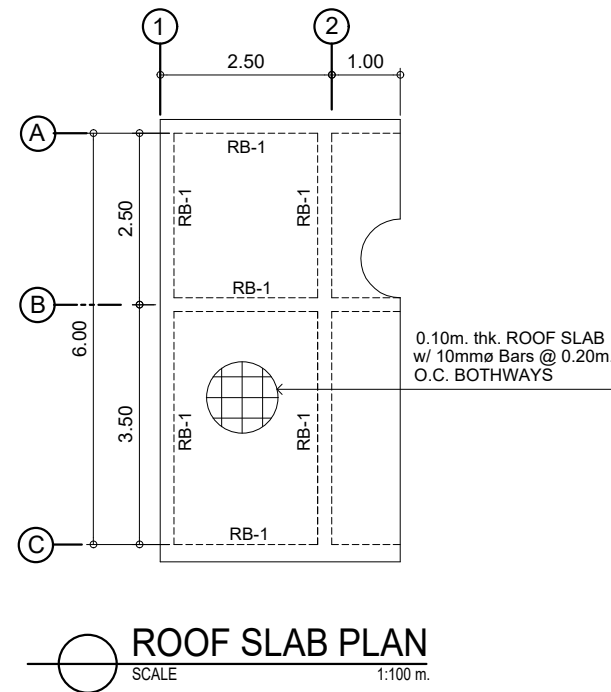
DETAIL OF CONCRETE LOUVER

NOTES:
1. ALL SIZES AND LOCATIONS ARE SUBJECT TO CHANGE TO SUIT FIELD CONDITIONS.
2. THE DESIGNER SHALL NOT BE LIABLE FOR ANY ALTERATION/ REVISION ON THE PLANS/ DRAWINGS AND SPECIFICATIONS IMPROVED BY THE AUTHORIZED SUPERVISING ENGINEER DONE WITHOUT THEIR KNOWLEDGE THAT MAY IMPAIR THE STRENGTH OF THE PROJECT.


	PROJECT TITLE:	DRAWN BY:	A. L. DEL PRADO	SHEET CONTENTS:	DATE: 07/16/2021
	PROPOSED PUMPING STATION BUILDING	DESIGNED BY:	A. L. DEL PRADO	FOUNDATION PLAN DETAIL OF FOOTINGS DETAIL OF COLUMN DETAIL OF GRADE BEAM	SHEET NO.
LOCATION: ASIACON PUMP 2 KAPAYAPAAN VILLAGE BRGY. CANLUBANG, CALAMBA CITY	RECOMMENDED BY:	ENGR. J. A. GILLERA	APPROVED BY:		MR. E. A. AGUILAR JR.

ADMIN\D:\Angelo\Calamba Water District\PUMPING STATION\ASIACON PUMP2\ASIACON PUMP2\asiaccon2.dwg - 7/16/2021 4:44 pm

This design or drawing is the sole property of Calamba Water District. No part of this design or drawing may be reproduced or transmitted in any form or by any means without the written consent of its owner.

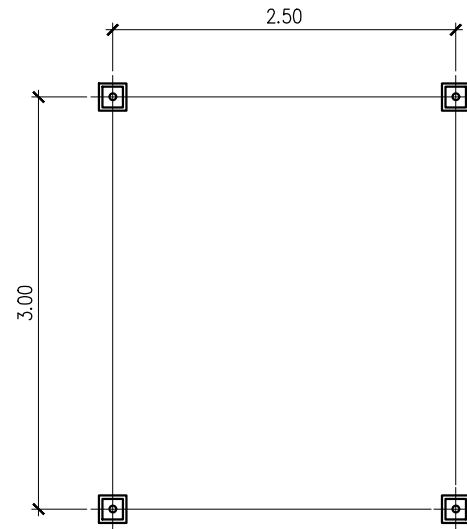


- NOTES:
 1. ALL SIZES AND LOCATIONS ARE SUBJECT TO CHANGE TO SUIT FIELD CONDITIONS.
 2. THE DESIGNER SHALL NOT BE LIABLE FOR ANY ALTERATION/ REVISION ON THE PLANS/ DRAWINGS AND SPECIFICATIONS IMPROVED BY THE AUTHORIZED SUPERVISING ENGINEER DONE WITHOUT THEIR KNOWLEDGE THAT MAY IMPAIR THE STRENGTH OF THE PROJECT.

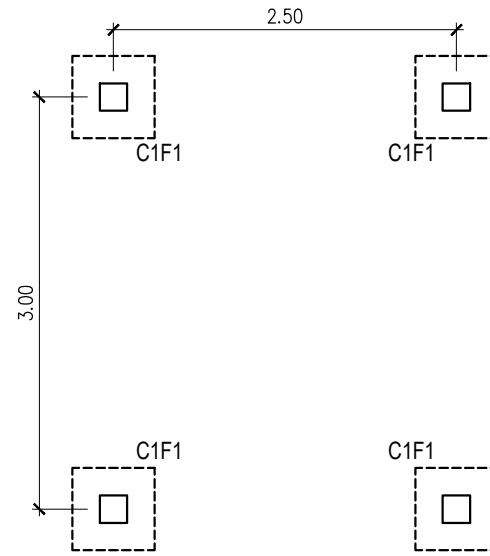
 CALAMBA WATER DISTRICT ENGINEERING DEPARTMENT PLANNING AND DESIGN DIVISION 24/7 Public Service	PROJECT TITLE:	DRAWN BY: A. L. DEL PRADO	SHEET CONTENTS:	DATE: 07/16/2021
	PROPOSED PUMPING STATION BUILDING	DESIGNED BY: A. L. DEL PRADO	ROOF SLAB PLAN ECROSS-SECTIONAL DETAIL OF BEAM DETAIL OF STEEL GATE	SHEET NO.
	LOCATION: ASIACON PUMP 2 KAPAYAPAAN VILLAGE BRGY. CANLUBANG, CALAMBA CITY	RECOMMENDED BY: ENGR. J. A. GILLERA		S-3
	APPROVED BY: MR. E. A. AGUILAR JR.			

ADMIN\D:\Angelo\Calamba Water District\PUMPING STATION\ASIACON PUMP2\ASIACON PUMP2\asiacon2.dwg - 7/16/2021 4:44 pm

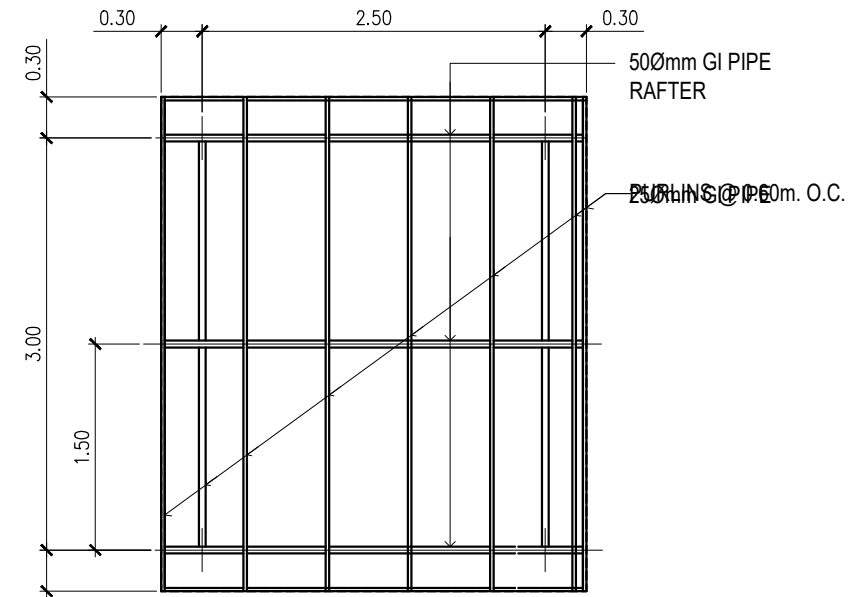
GENSET COVER STRUCTURE



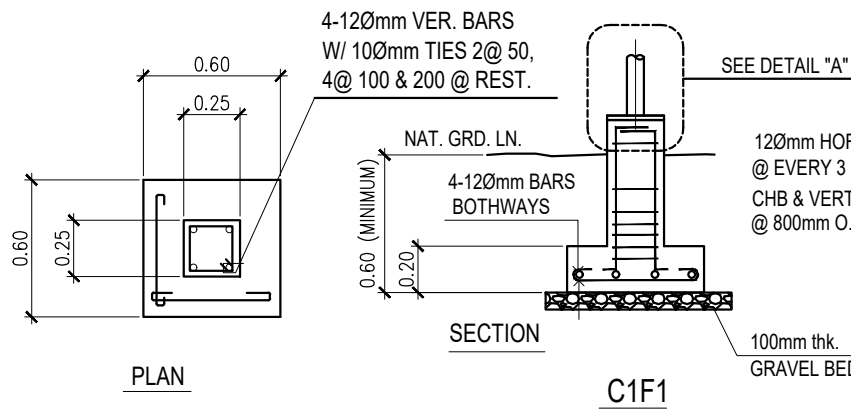
FLOOR PLAN
SCALE 1:50 m.



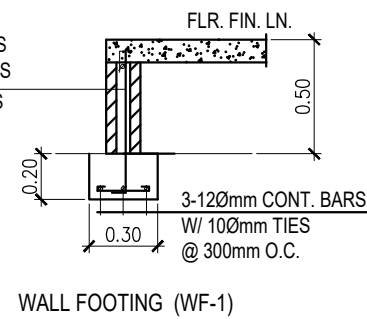
FOUNDATION PLAN
SCALE 1:50 m.



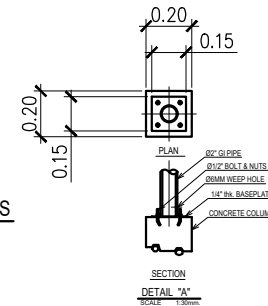
ROOF FRAMING PLAN
SCALE 1:50 m.



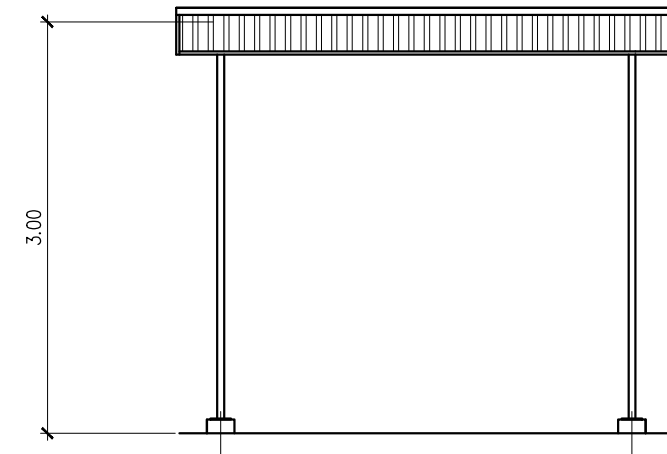
DETAIL OF FOOTINGS
SCALE: 1:30 M.



WALL FOOTING (WF-1)



DETAIL "A"
SCALE 1:30 M.



FRONT ELEVATION
SCALE 1:50 m.

NOTES:
1. ALL SIZES AND LOCATIONS ARE SUBJECT TO CHANGE TO SUIT FIELD CONDITIONS.
2. THE DESIGNER SHALL NOT BE LIABLE FOR ANY ALTERATION / REVISION ON THE PLANS / DRAWINGS AND SPECIFICATIONS IMPROVED BY THE AUTHORIZED SUPERVISING ENGINEER DONE WITHOUT THEIR KNOWLEDGE THAT MAY IMPAIR THE STRENGTH OF THE PROJECT.



CALAMBA WATER DISTRICT
ENGINEERING DEPARTMENT
PLANNING AND DESIGN DIVISION

PROJECT TITLE:
PROPOSED PUMPING STATION BUILDING

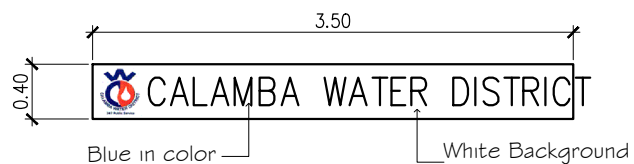
DRAWN BY: A. L. DEL PRADO
DESIGNED BY: A. L. DEL PRADO
RECOMMENDED BY: ENGR. J. A. GILLERA
APPROVED BY: MR. E. A. AGUILAR JR.

SHEET CONTENTS:
UV ENCLOSURE FLOOR PLAN
FOUNDATION PLAN
ROOF FRAMING PLAN

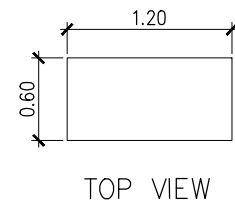
DATE: 07/16/2021
SHEET NO.
S-4

This design or drawing is the sole property of Calamba Water District. No part of this design or drawing may be reproduced or transmitted in any form or by any means without the written consent of its owner.

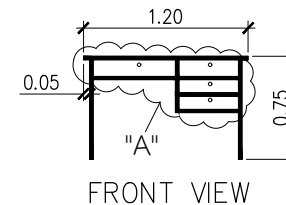
This design or drawing is the sole property of Calamba Water District. No part of this design or drawing may be reproduced or transmitted in any form or by any means without the written consent of its owner.



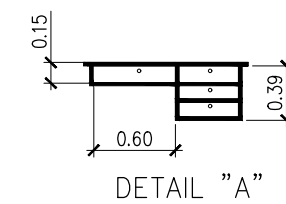
ACRYLIC SIGN



TOP VIEW

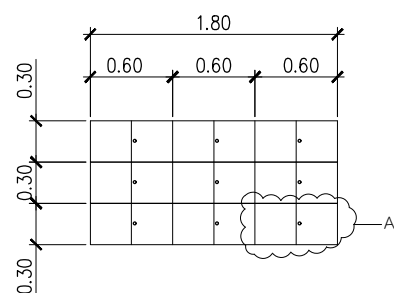


FRONT VIEW

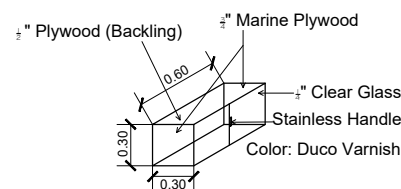


DETAIL "A"

TABLE DETAILS



DETAIL OF HANGING WOOD CABINET



SECTION A OF HANGING WOOD CABINET

- MATERIAL SPECIFICATIONS:
- 3/4" Marine Plywood
 - 1/2" Plywood (backling)
 - 4" Stainless Hinges
 - Magnetic Catches w/ lockset
 - 4" Stainless Cabinet Handle
 - 1/4" Clear Glass
 - Duco Varnish

NOTES:
 1. ALL SIZES AND LOCATIONS ARE SUBJECT TO CHANGE TO SUIT FIELD CONDITIONS.
 2. THE DESIGNER SHALL NOT BE LIABLE FOR ANY ALTERATION/ REVISION ON THE PLANS/ DRAWINGS AND SPECIFICATIONS IMPROVED BY THE AUTHORIZED SUPERVISING ENGINEER DONE WITHOUT THEIR KNOWLEDGE THAT MAY IMPAIR THE STRENGTH OF THE PROJECT.



CALAMBA WATER DISTRICT
 ENGINEERING DEPARTMENT
 PLANNING AND DESIGN DIVISION

PROJECT TITLE:
PROPOSED PUMPING STATION BUILDING

LOCATION: ASIACON PUMP 2 KAPAYAPAAN VILLAGE
 BRGY. CANLUBANG, CALAMBA CITY

DRAWN BY: A. L. DEL PRADO
 DESIGNED BY: A. L. DEL PRADO
 RECOMMENDED BY: ENGR. J. A. GILLERA
 APPROVED BY: MR. E. A. AGUILAR JR.

SHEET CONTENTS:
 PROPOSED PORTALET
 DETAIL OF SIGNAGE
 DETAIL OF HANGING CABINET

DATE: 07/16/2021
 SHEET NO.
SPECIALTIES

ADMIN\D:\Angelo\Calamba Water District\PUMPING STATION\ASIACON PUMP2\ASIACON PUMP2\asiac2.dwg-7/16/2021 4:44 pm